

THE URBAN ELECTRIC COMPANY



PARLOR V.1



# PARLOR V.1

HANG LARGE

UE-2369HL

## DIMENSIONS

Width	25in
Height	11in

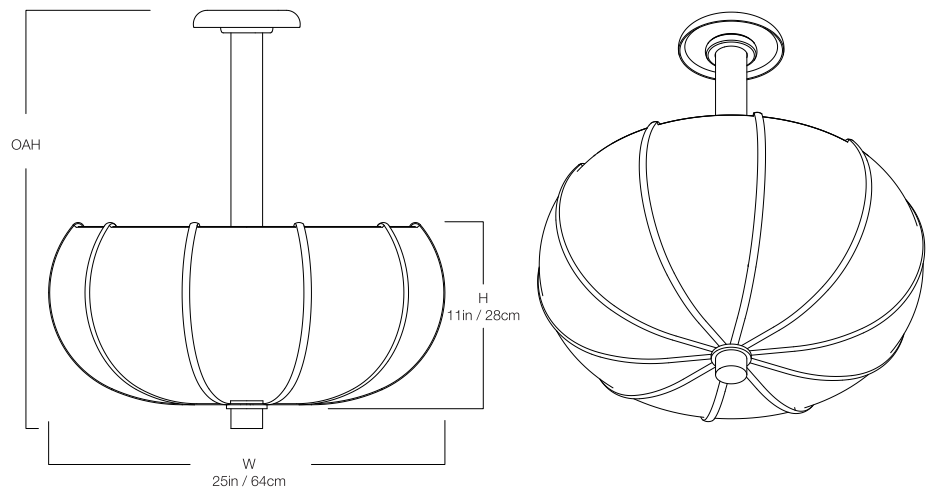
## MOUNTING

Recommended Installers	2
Weight	11lbs
Canopy	6.75in dia
Junction Box	4in oct/rnd



## LAMP / WIRING

Max Wattage	(1) 60W S
Ships with complimentary LED bulb	

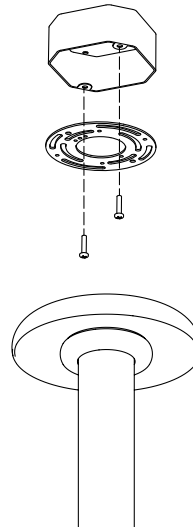


## RATING

Suitable for DAMP locations



UL Listed



# PARLOR V.1

HANG REGULAR

UE-2369HR

## DIMENSIONS

Width	19.5in
Height	9in

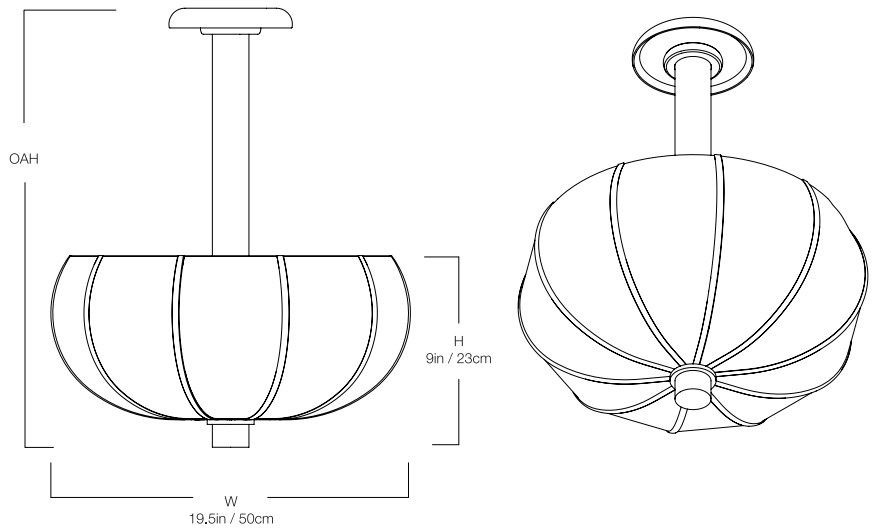
## MOUNTING

Recommended Installers	2
Weight	11lbs
Canopy	6.75in dia
Junction Box	4in oct/rnd



## LAMP / WIRING

Max Wattage	(1) 60W S
Ships with complimentary LED bulb	



## RATING

Suitable for DAMP locations



UL Listed

