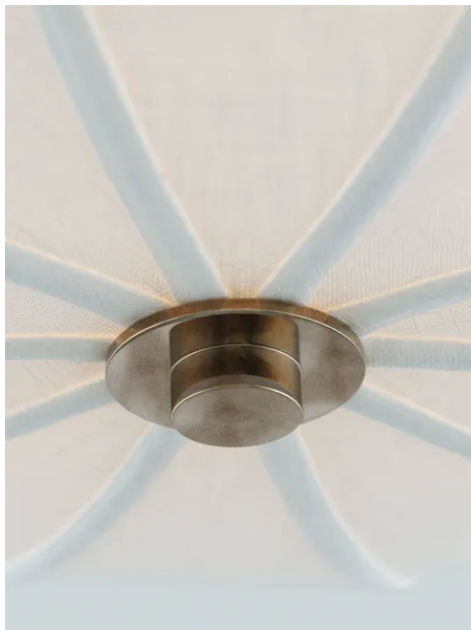


THE URBAN ELECTRIC CO.



PENCOMBE HANG



# PENCOMBE HANG

REGULAR

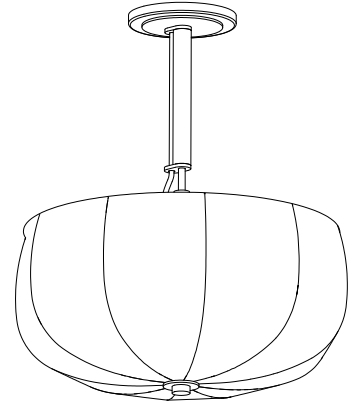
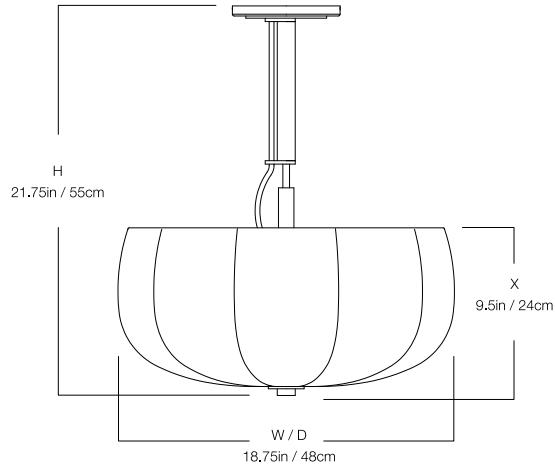
MA-1956HR

## DIMENSIONS

Width	18.75in
Height	21.75in
Depth	18.75in
X	9.5in

## MOUNTING

Recommended Installers	2
Weight	5lbs
Canopy	6in dia
Junction Box	4in oct/rnd



## LAMP / WIRING

Max Wattage	(1) 60W S
-------------	-----------

Ships with complimentary LED bulb



## RATING

Suitable for DAMP locations



UL Listed

