

THE URBAN ELECTRIC COMPANY



PERCH



PERCH

HANG REGULAR

UE-2545HR

DIMENSIONS

Width 22in
Height 20in

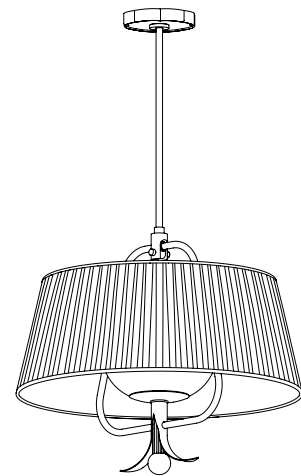
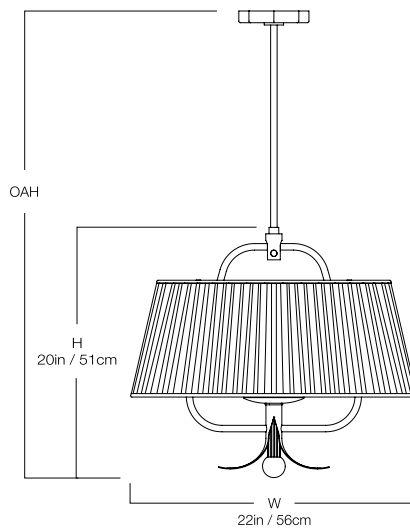
MOUNTING

Recommended Installers 2
Weight 14lbs
Canopy 5.5in dia
Junction Box 4in oct/rnd



LAMP / WIRING

Max Wattage (1) 60W S
Ships with complimentary LED bulb



RATING

Suitable for DAMP locations



UL Listed

