

THE URBAN ELECTRIC COMPANY



PHARMACY



# PHARMACY

WALL REGULAR

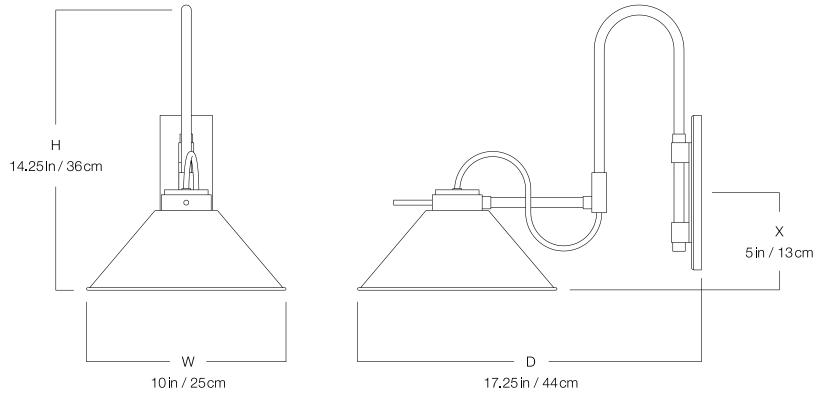
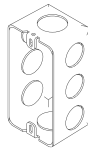
MA-1808WR

## DIMENSIONS

Width	10in
Height	14.25in
Depth	17.25in
X	5in

## MOUNTING

Recommended Installers	1
Weight	5lbs
Backplate	2.75in x 7.75in
Junction Box	2in x 4in rect



## LAMP / WIRING

Max Wattage (1) 60W S  
Ships with complimentary LED bulb



## RATING

Suitable for DAMP locations



UL Listed

## PATENTS

This fixture is Patented with the United States Patent and Trademark Office.  
Patent No. D888,319 June 23, 2020

