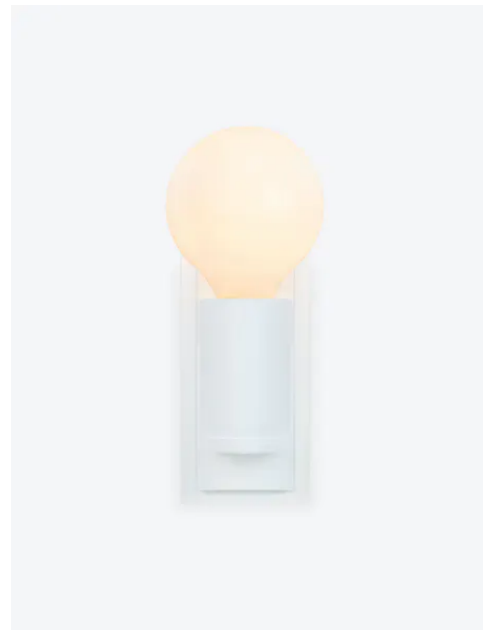


THE URBAN ELECTRIC C<sup>o</sup>.



PIP



# PIP

WALL REGULAR HARD-WIRED

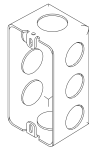
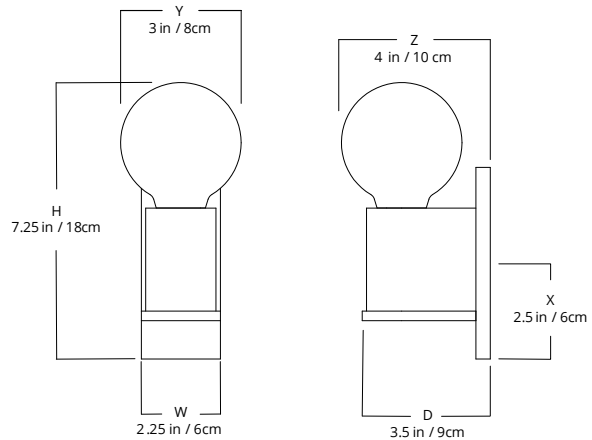
MA-2020WR

## DIMENSIONS

Width	2.25in
Height	7.25in
Depth	3.5in
X	2.5in
Y	3in
Z	4in

## MOUNTING

Recommended Installers	1
Weight	2lbs
Backplate	2in x 5in
Junction Box	1.5in x 3.75in rect



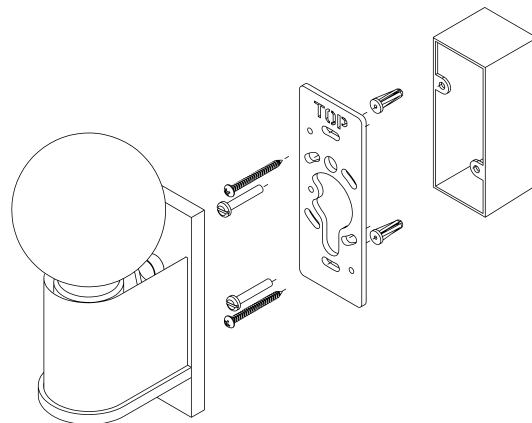
## LAMP / WIRING

Max Wattage (1) 60W S  
Ships with complimentary LED bulb



## RATING

Suitable for DAMP locations  
UL Listed  
ADA compliant



# PIP

WALL REGULAR SOFT-WIRED

MA-2021WR

## DIMENSIONS

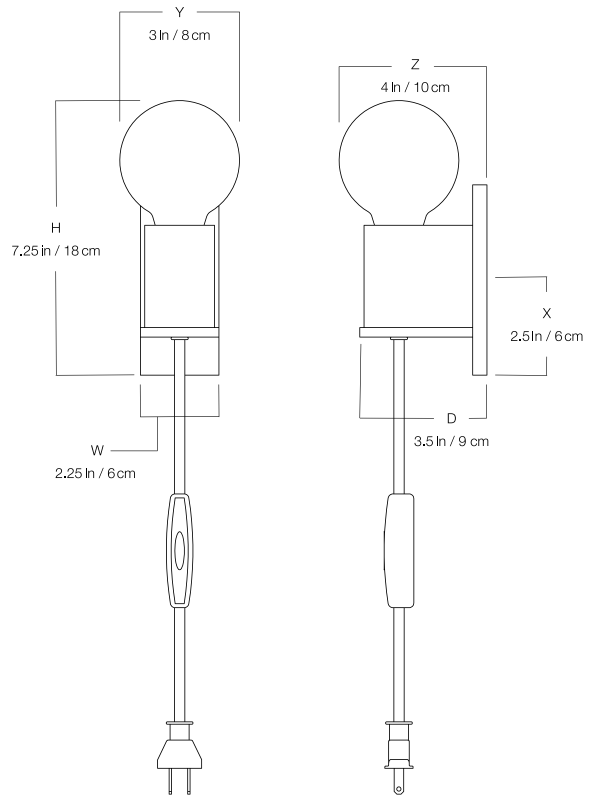
Width	2.25in
Height	7.25in
Depth	3.5in
X	2.5in
Y	3in
Z	4in

## MOUNTING

Recommended Installers	1
Weight	2lbs
Backplate	2in x 5in

## LAMP / WIRING

Max Wattage (1) 60W S  
Ships with complimentary LED bulb



## RATING

Suitable for DRY locations

UL Listed

ADA compliant

