

THE URBAN ELECTRIC C<sup>o</sup>.



PIPE HANG



# PIPE HANG

REGULAR

MA-1910HR

## DIMENSIONS

Width	12in
Height	17in

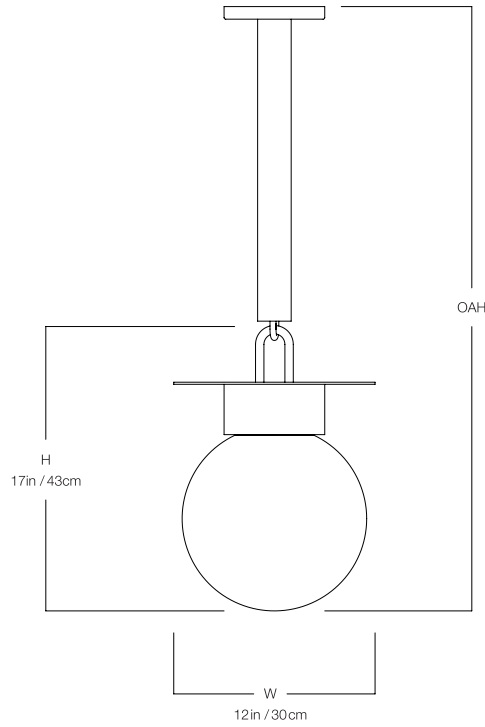
## MOUNTING

Recommended Installers	2
Weight	21lbs
Canopy	6in dia
Junction Box	4in oct/rnd



## LAMP / WIRING

Max Wattage	(1) 60W S
Ships with complimentary LED bulb	



## RATING

Suitable for DAMP locations



UL Listed

## PATENTS

This fixture is Patented with the United States Patent and Trademark Office. Patent No. D922,660 June 15, 2021

