

THE URBAN ELECTRIC COMPANY



PORTE



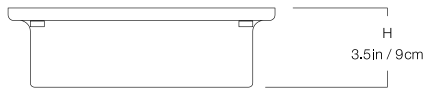
# PORTE

HANG REGULAR

MA-1705HR

## DIMENSIONS

Width	12in
Height	3.5in
Depth	12in



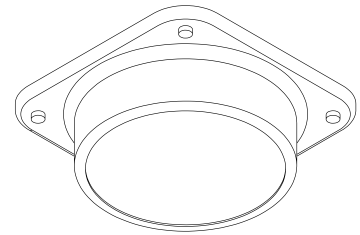
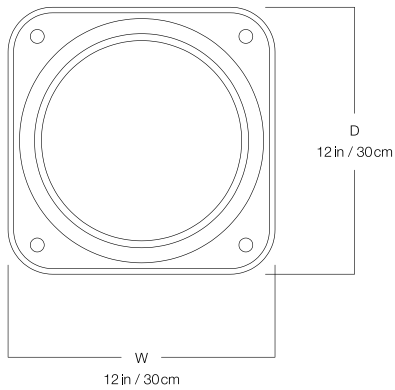
## MOUNTING

Recommended Installers	1
Weight	9lbs
Canopy	12in x 12in
Junction Box	4in oct/rnd



## LAMP / WIRING

Ships with complimentary LED panel



## RATING

Suitable for DAMP locations

UL Listed



## PATENTS

This fixture is Patented with the United States Patent and Trademark Office. Patent No. D834,236 November 20, 2018

