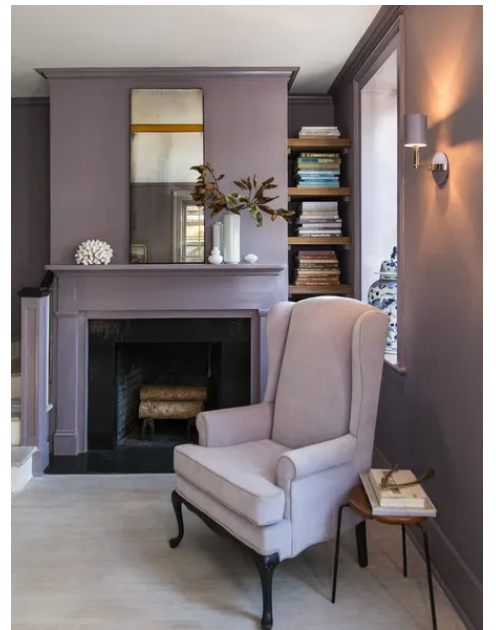


THE URBAN ELECTRIC C^o.



PUCK



PUCK

WALL REGULAR

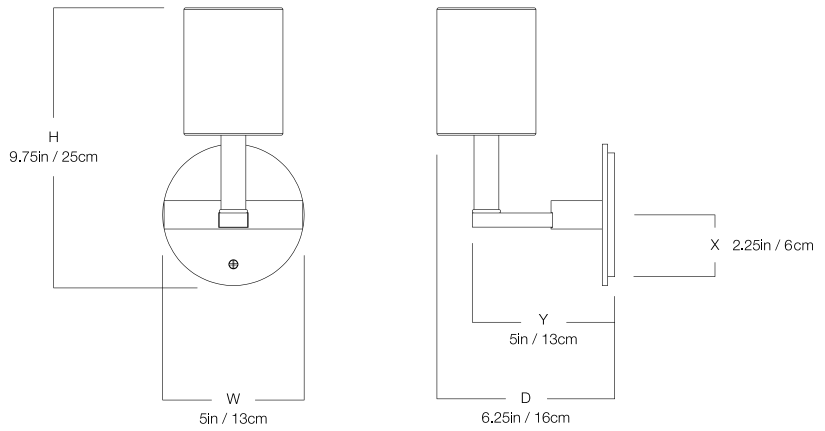
MA-1690WR

DIMENSIONS

Width	5in
Height	9.75in
Depth	6.25in
X	2.25in
Y	5in
Z	0in

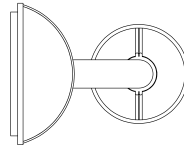
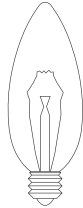
MOUNTING

Recommended Installers	1
Weight	4lbs
Backplate	4.5in x 0in
Junction Box	4in oct/rnd



LAMP / WIRING

Max Wattage (1) 60W C
Ships with complimentary LED bulb



RATING

Suitable for DAMP locations

UL Listed



PATENTS

This fixture is Patented with the United States Patent and Trademark Office.
Patent No. D821,018 June 19, 2018

