

THE URBAN ELECTRIC C^o.



REX TABLE



REX TABLE

REGULAR

MA-1570TR

DIMENSIONS

Width	5in
Height	9in
X	4.25in

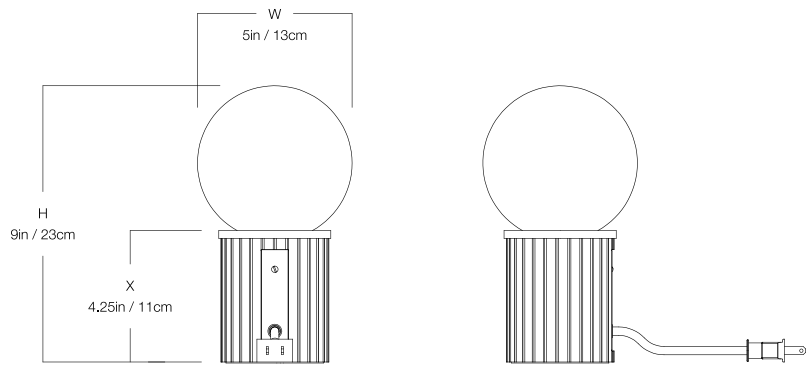
MOUNTING

Recommended Installers	1
Weight	6lbs

LAMP / WIRING

Max Wattage (1) 60W S

Ships with complimentary incandescent bulb



RATING

Suitable for DRY locations

UL Listed



PATENTS

This fixture is Patented with the United States Patent and Trademark Office. Patent No. D786,485 May 09, 2017