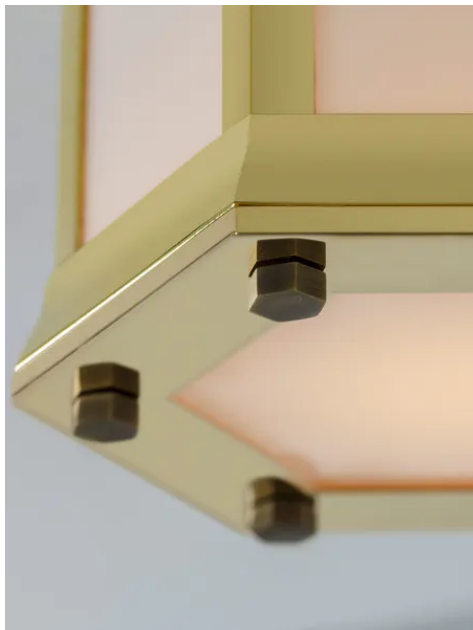


THE URBAN ELECTRIC C^o.



ROOK



ROOK

HANG REGULAR

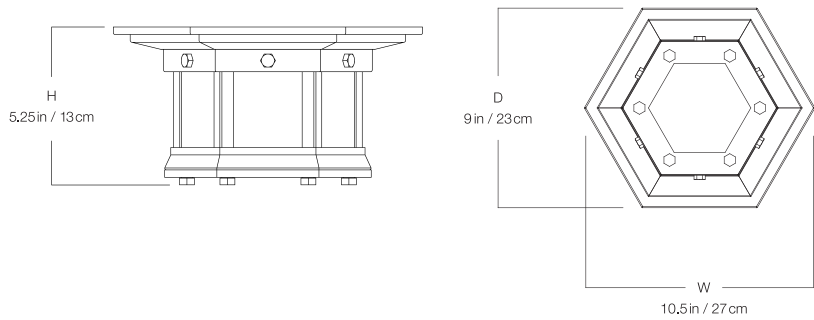
SG-1856HR

DIMENSIONS

Width	10.5in
Height	5.25in
Depth	9in

MOUNTING

Recommended Installers	1
Weight	13lbs
Canopy	9in x 10.25in
Junction Box	4in oct/rnd



LAMP / WIRING

Max Wattage	(1) 60W S
Ships with complimentary LED bulb	



RATING

Suitable for DAMP locations



UL Listed

PATENTS

This fixture is Patented with the United States Patent and Trademark Office. Patent No. D886,357 June 02, 2020

