

THE URBAN ELECTRIC COMPANY



SAILOR



SAILOR

WALL REGULAR

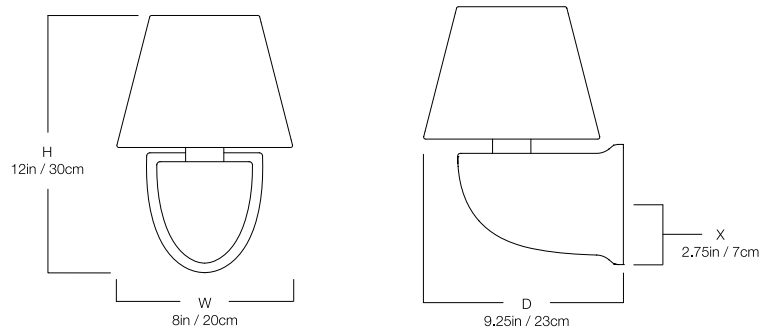
UE-2400WR

DIMENSIONS

Width	8in
Height	12in
Depth	9.25in
X	2.75in

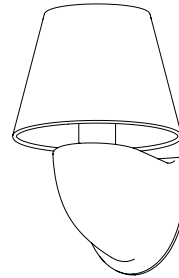
MOUNTING

Recommended Installers	1
Weight	18lbs
Backplate	5.25in x 5.5in
Junction Box	4in oct/rnd



LAMP / WIRING

Max Wattage	(1) 60W S
Ships with complimentary LED bulb	



RATING

Suitable for DAMP locations



UL Listed

