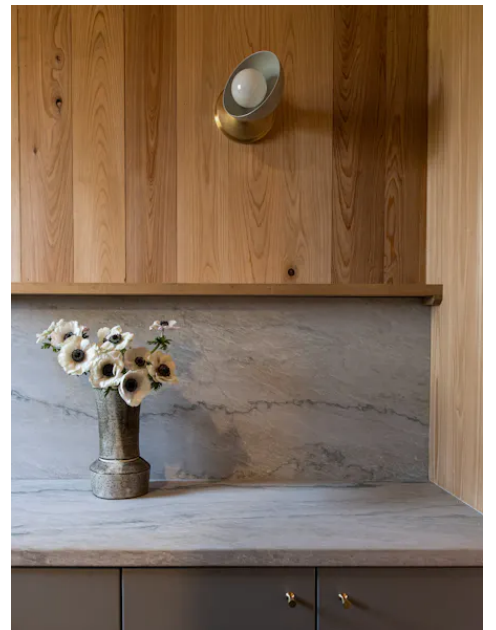
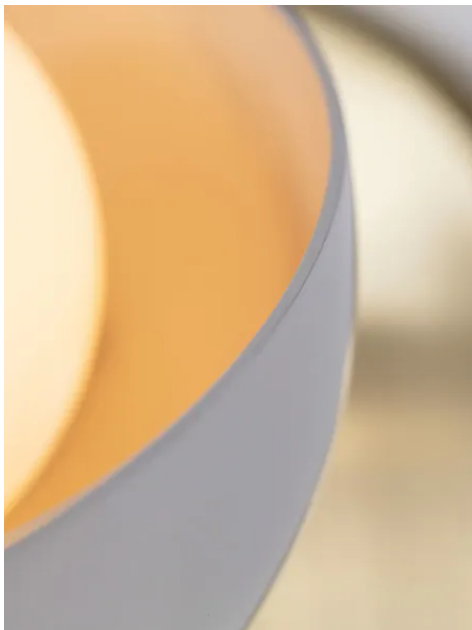


THE URBAN ELECTRIC COMPANY



SCOOP MINI



SCOOP MINI

WALL REGULAR

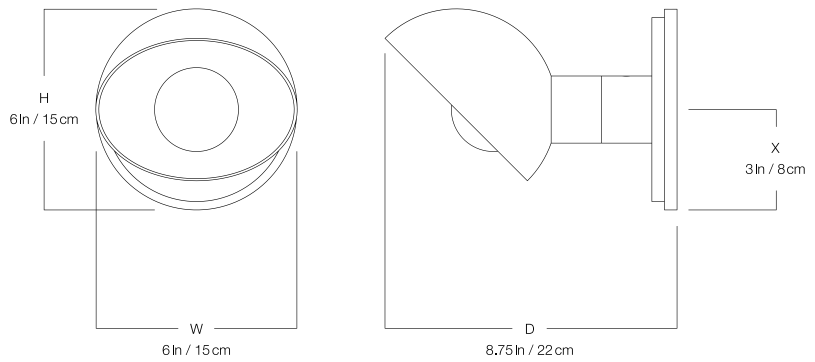
MA-1916WR

DIMENSIONS

Width	6in
Height	6in
Depth	8.75in
X	3in

MOUNTING

Recommended Installers	1
Weight	7lbs
Backplate	6in x 0in
Junction Box	4in oct/rnd



LAMP / WIRING

Max Wattage	(1) 60W S
-------------	-----------

Ships with complimentary LED bulb



RATING

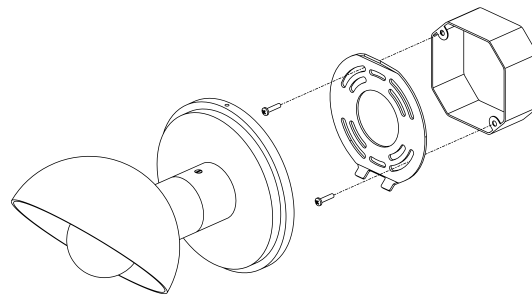
Suitable for DAMP locations

UL Listed



PATENTS

This fixture is Patented with the United States Patent and Trademark Office.
Patent No. D917,766 April 27, 2021



SCOOP MINI

WITH SWITCH WALL REGULAR

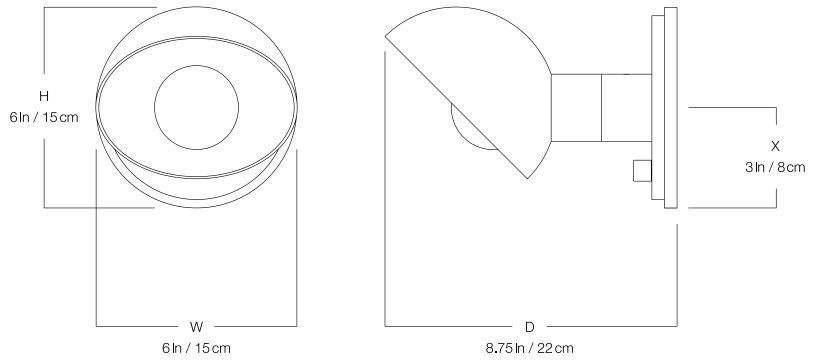
MA-1917WR

DIMENSIONS

Width	6in
Height	6in
Depth	8.75in
X	3in

MOUNTING

Recommended Installers	1
Weight	7lbs
Backplate	6in x 0in
Junction Box	4in oct/rnd



LAMP / WIRING

Max Wattage	(1) 60W S
-------------	-----------

Ships with complimentary LED bulb



RATING

Suitable for DAMP locations
UL Listed

