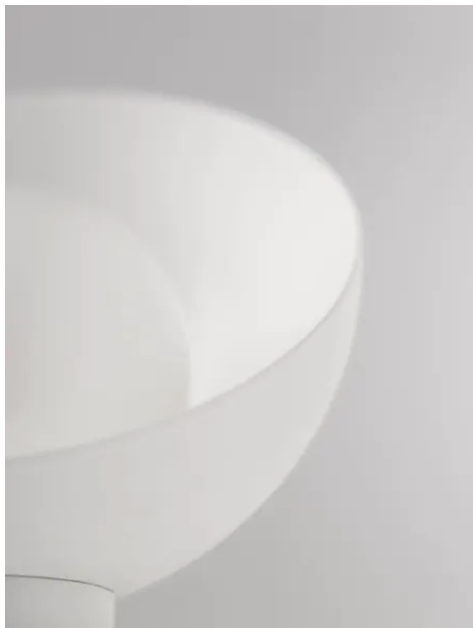


THE URBAN ELECTRIC C<sup>o</sup>.



SCOOP



# SCOOP

WALL SMALL

MA-1650WS

## DIMENSIONS

Width	6in
Height	17.75in
Depth	9.25in
X	6.5in
Y	9.5in

## MOUNTING

Recommended Installers	1
Weight	5lbs
Junction Box	4in oct/rnd



## LAMP / WIRING

Max Wattage	(1) 60W S
Ships with complimentary LED bulb	



## RATING

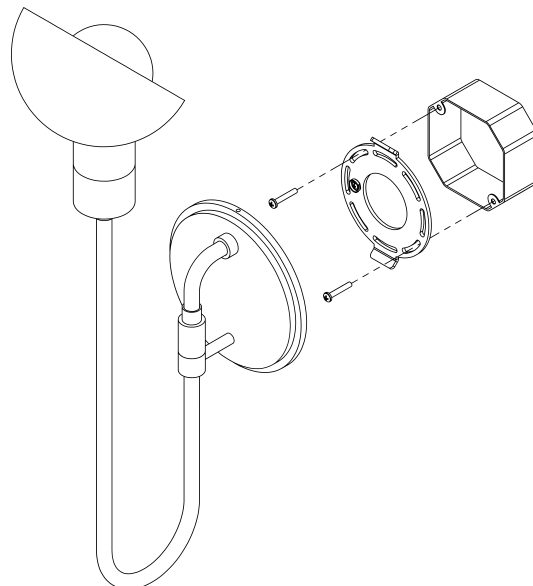
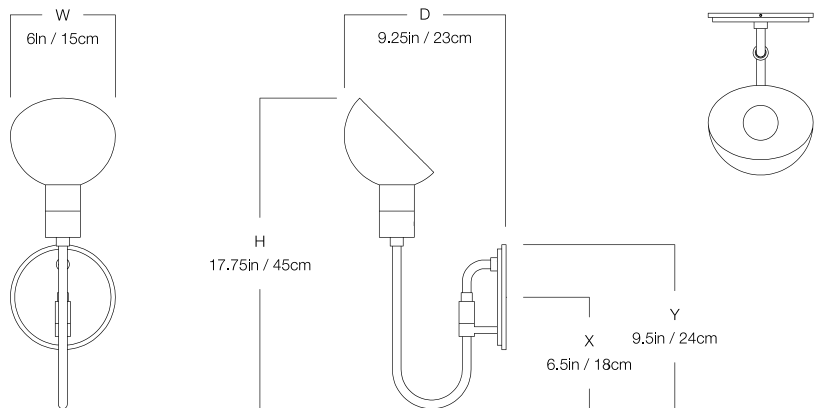
Suitable for DAMP locations

UL Listed



## PATENTS

This fixture is Patented with the United States Patent and Trademark Office. Patent No. D818,177 May 15, 2018



# SCOOP

WALL REGULAR

MA-1650WR

## DIMENSIONS

Width	6in
Height	24in
Depth	9.25in
X	9.5in
Y	12.5in

## MOUNTING

Recommended Installers	1
Weight	5lbs
Junction Box	4in oct/rnd



## LAMP / WIRING

Max Wattage (1) 60W S

Ships with complimentary LED bulb



## RATING

Suitable for DAMP locations

UL Listed



## PATENTS

This fixture is Patented with the United States Patent and Trademark Office. Patent No. D818,177 May 15, 2018

