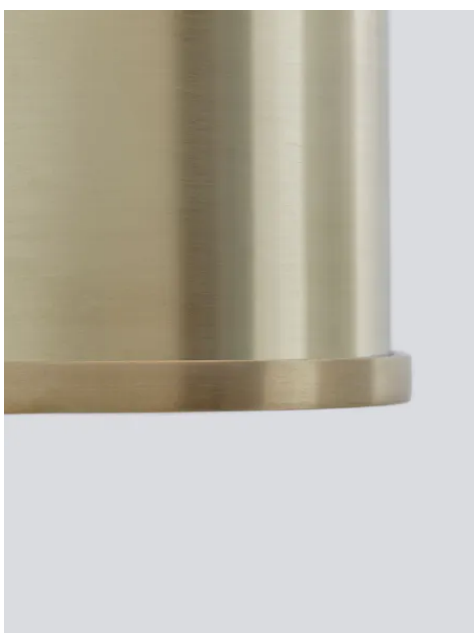
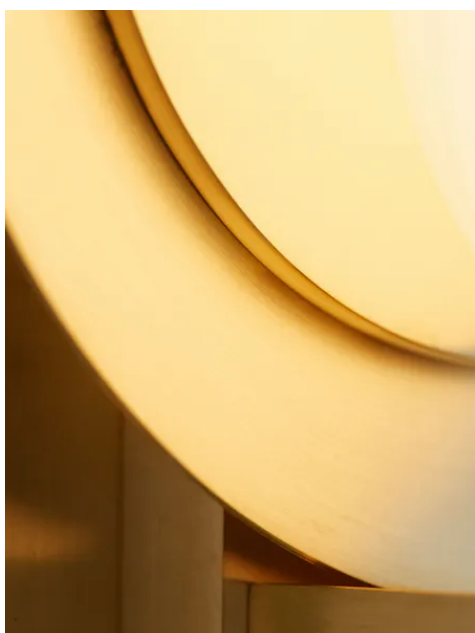


THE URBAN ELECTRIC COMPANY



SCOUT



# SCOUT

WALL REGULAR

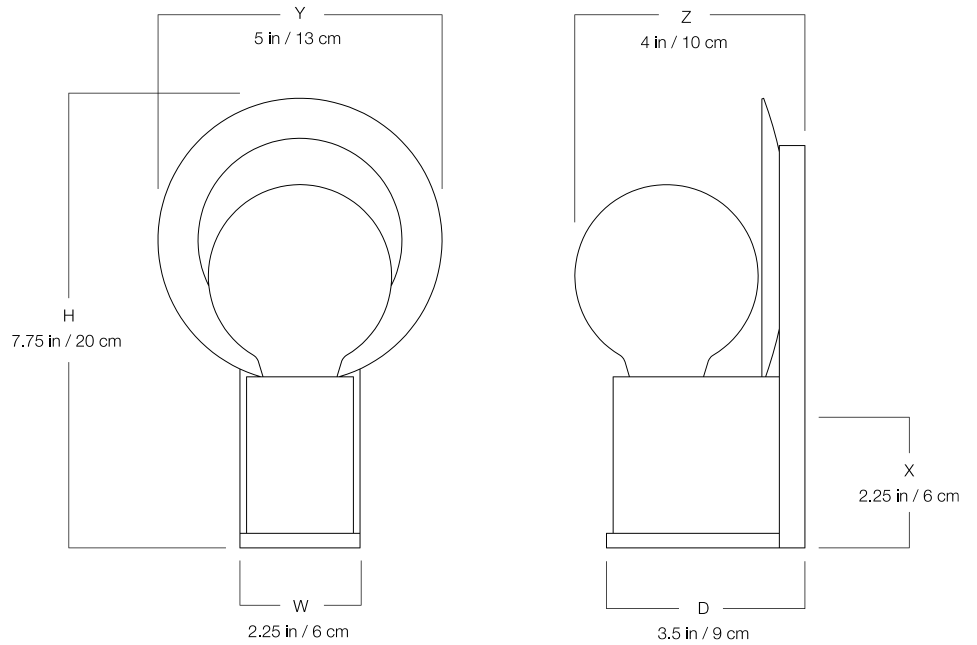
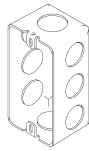
MA-2024WR

## DIMENSIONS

Width	2.25in
Height	7.75in
Depth	3.5in
X	2.25in
Y	5in
Z	4in

## MOUNTING

Recommended Installers	1
Weight	4lbs
Backplate	2.25in x 7in
Junction Box	1.5in x 3.75in rect



## LAMP / WIRING

Max Wattage (1) 60W S  
Ships with complimentary LED bulb



## RATING

Suitable for DAMP locations  
UL Listed  
ADA compliant

