

THE URBAN ELECTRIC CO.



STAMP SQUARE



STAMP SQUARE

HANG SMALL

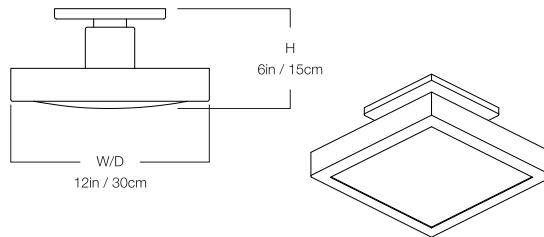
MA-2026HS

DIMENSIONS

Width	12in
Height	6in
Depth	12in

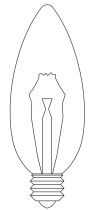
MOUNTING

Recommended Installers	2
Weight	11 lbs
Canopy	6.75in x 6.75in
Junction Box	4in oct/rnd



LAMP / WIRING

Max Wattage (2) 40W C
Ships with complimentary LED bulbs



RATING

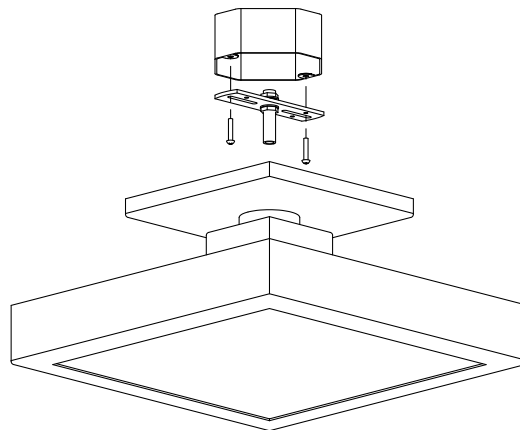
Suitable for DAMP locations



UL Listed

PATENTS

This fixture is Patented with the United States Patent and Trademark Office.
Patent No. D926,347 June 09, 2021



STAMP SQUARE

HANG REGULAR

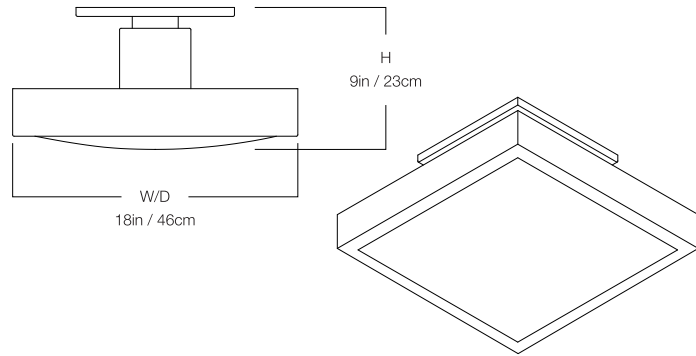
MA-2026HR

DIMENSIONS

Width	18in
Height	9in
Depth	18in

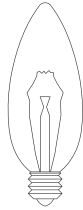
MOUNTING

Recommended Installers	2
Weight	26lbs
Canopy	10in x 10in
Junction Box	4in oct/rnd



LAMP / WIRING

Max Wattage (4) 40W C
Ships with complimentary LED bulbs



RATING

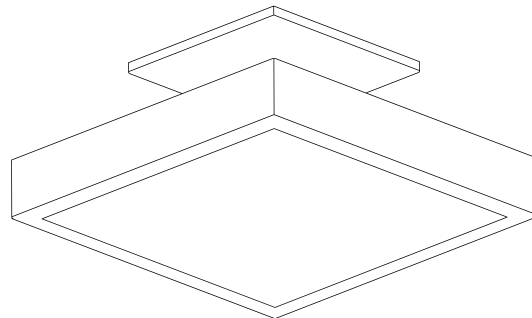
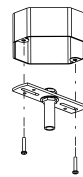
Suitable for DAMP locations



UL Listed

PATENTS

This fixture is Patented with the United States Patent and Trademark Office.
Patent No. D926,347 June 09, 2021



STAMP SQUARE

HANG LARGE

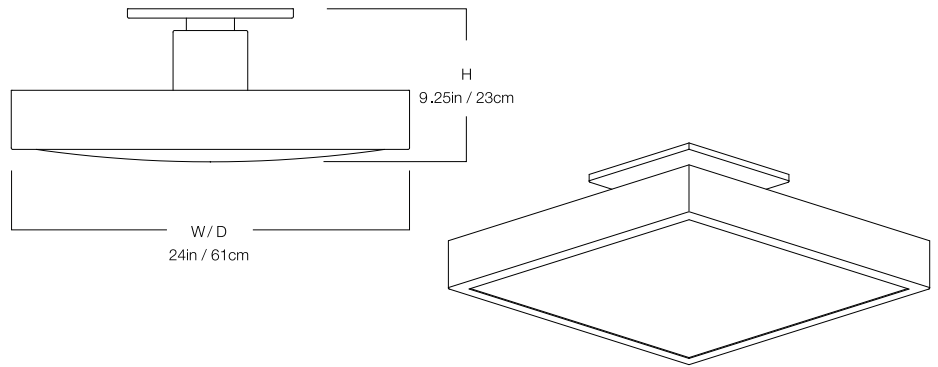
MA-2026HL

DIMENSIONS

Width	24in
Height	9.25in
Depth	24in

MOUNTING

Recommended Installers	2
Weight	38lbs
Canopy	10in x 10in
Junction Box	4in oct/rnd

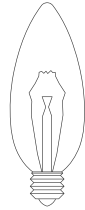


WARNING: HEAVY

*Safety cable must attach to building structure.

LAMP / WIRING

Max Wattage (4) 40W C
Ships with complimentary LED bulbs



RATING

Suitable for DAMP locations

UL Listed



PATENTS

This fixture is Patented with the United States Patent and Trademark Office.
Patent No. D926,347 June 09, 2021

