

THE URBAN ELECTRIC COMPANY



STAMP TRIPLE



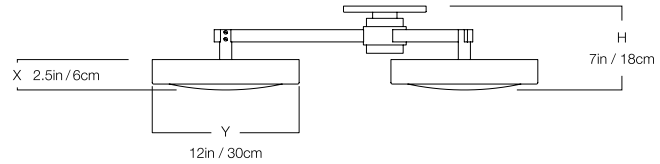
STAMP TRIPLE

HANG SMALL

MA-2030HS

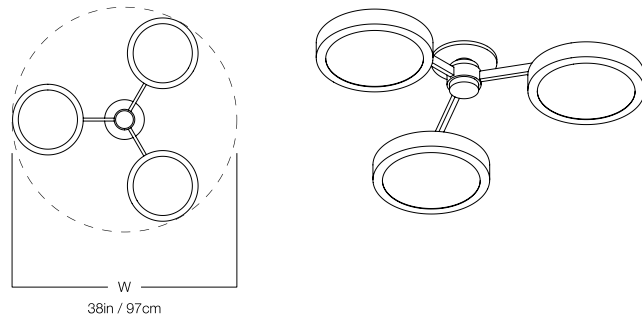
DIMENSIONS

Width	38in
Height	7in
Depth	38in
X	2.5in
Y	12in



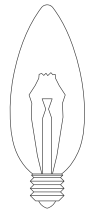
MOUNTING

Recommended Installers	2
Weight	31lbs
Canopy	6.75in dia
Junction Box	4in oct/rnd



LAMP / WIRING

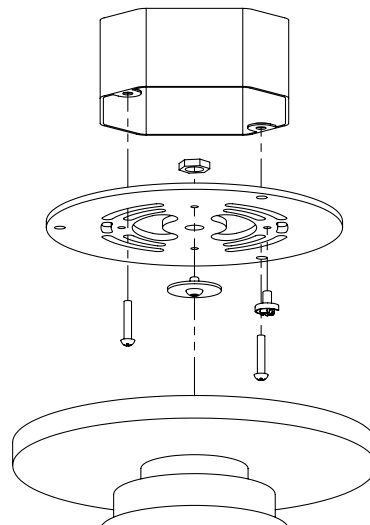
Max Wattage (6) 40W C
Ships with complimentary LED bulbs



RATING

Suitable for DAMP locations

UL Listed



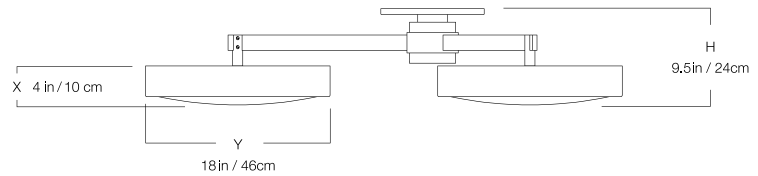
STAMP TRIPLE

HANG REGULAR

MA-2030HR

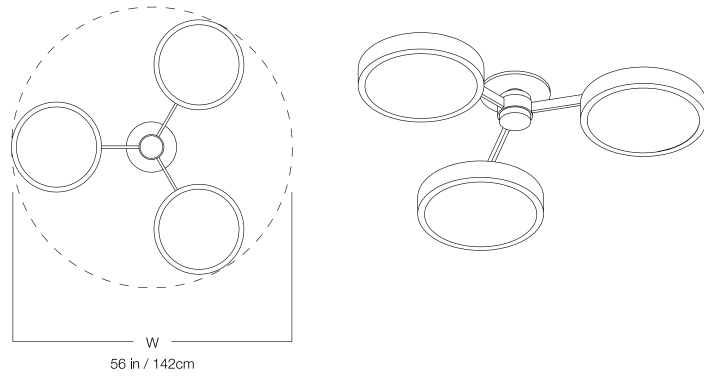
DIMENSIONS

Width	56in
Height	9.5in
Depth	56in
X	4in
Y	18in



MOUNTING

Recommended Installers	2
Weight	57lbs
Canopy	10in x 0in
Junction Box	4in oct/rnd



WARNING: HEAVY

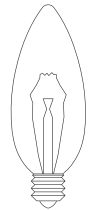
*Safety cable must attach to building structure.

*Appropriately rated, heavy duty junction box required.

LAMP / WIRING

Max Wattage (9) 40W C

Ships with complimentary LED bulbs



RATING

Suitable for DAMP locations

UL Listed

