

THE URBAN ELECTRIC CO.



STRAND V.2



STRAND V.2

HANG REGULAR

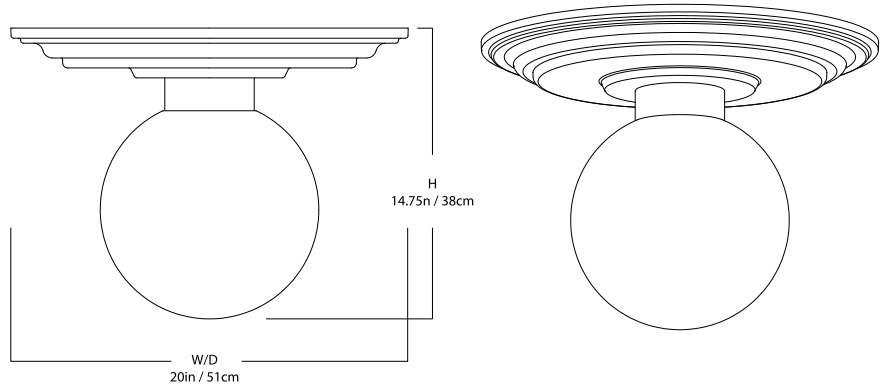
MA-2063HR

DIMENSIONS

Width	20in
Height	14.75in
Depth	20in

MOUNTING

Recommended Installers	2
Weight	15lbs
Canopy	20in dia
Junction Box	4in oct/rnd



LAMP / WIRING

Max Wattage (1) 60W S
Ships with complimentary LED bulb



RATING

Suitable for DAMP locations



UL Listed

PATENTS

This fixture has been filed with the United States Patent and Trademark Office, U.S. Pat. Pen. (U.S. Appl. No. 29/775,839)

