

THE URBAN ELECTRIC COMPANY



TAVERN DOUBLE



# TAVERN DOUBLE

HANG REGULAR - STANDARD HEIGHT

UE-2222HR

## DIMENSIONS

Width	52.5in
Height	32in
Depth	12in
X	10.25in
Y	25.25in

## MOUNTING

Recommended Installers	2
Weight	29lbs
Canopy	6in dia
Junction Box	4in oct/rnd



## LAMP / WIRING

Max Wattage (2) 60W S

Ships with complimentary LED bulbs

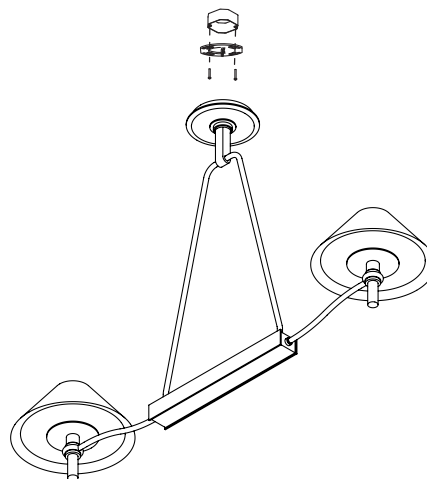
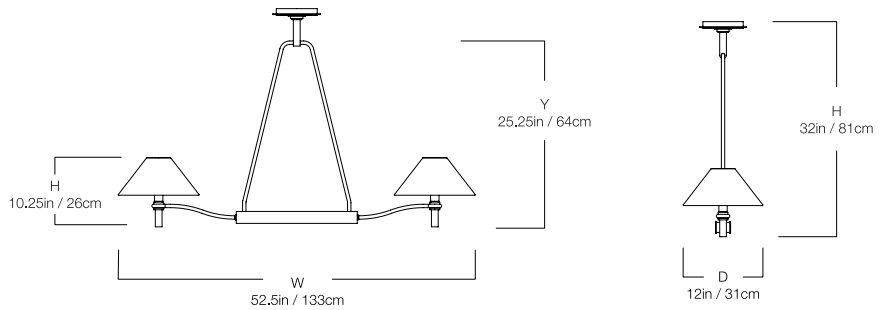


## RATING

Suitable for DAMP locations



UL Listed



# TAVERN DOUBLE

HANG REGULAR - REDUCED HEIGHT

UE-2221HR

## DIMENSIONS

Width	52.5in
Height	26in
Depth	12in
X	10.25in
Y	19.25in

## MOUNTING

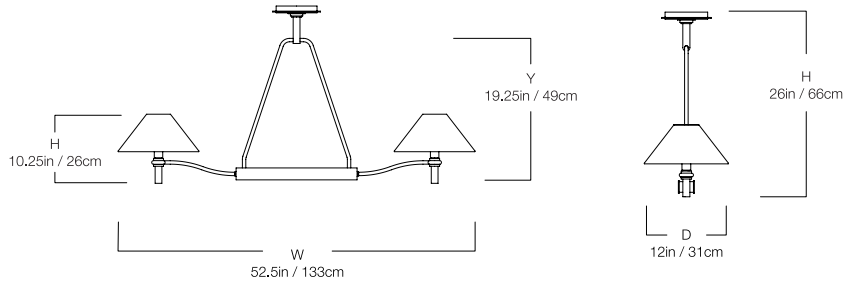
Recommended Installers	2
Weight	29lbs
Canopy	6in dia
Junction Box	4in oct/rnd



## LAMP / WIRING

Max Wattage (2) 60W S

Ships with complimentary LED bulbs

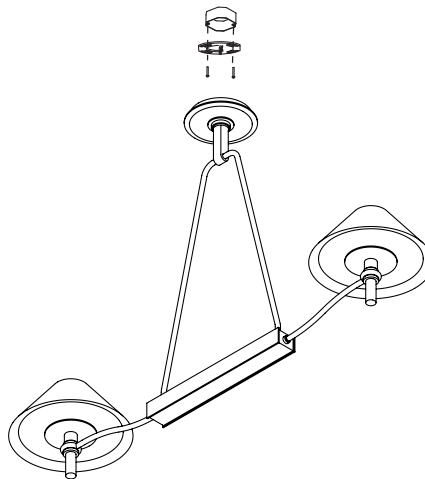


## RATING

Suitable for DAMP locations



UL Listed



# TAVERN DOUBLE

HANG REGULAR - MINIMUM HEIGHT

UE-2220HR

## DIMENSIONS

Width	52.5in
Height	20in
Depth	12in
X	10.25in
Y	13.25in

## MOUNTING

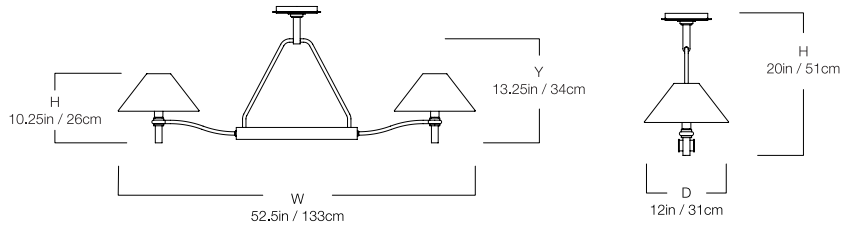
Recommended Installers	2
Weight	29lbs
Canopy	6in dia
Junction Box	4in oct/rnd



## LAMP / WIRING

Max Wattage (2) 60W S

Ships with complimentary LED bulbs



## RATING

Suitable for DAMP locations



UL Listed

