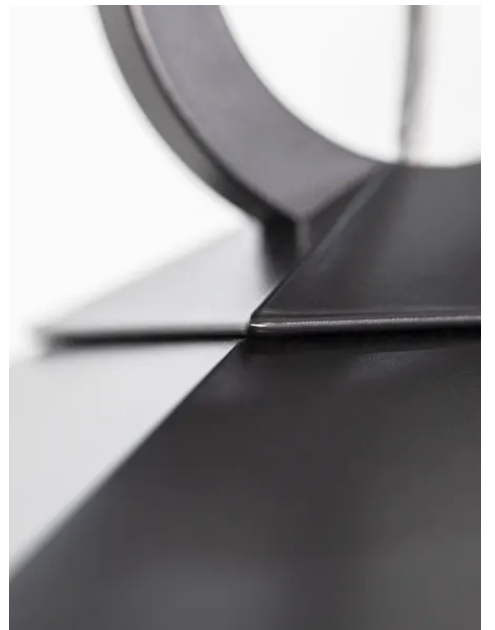
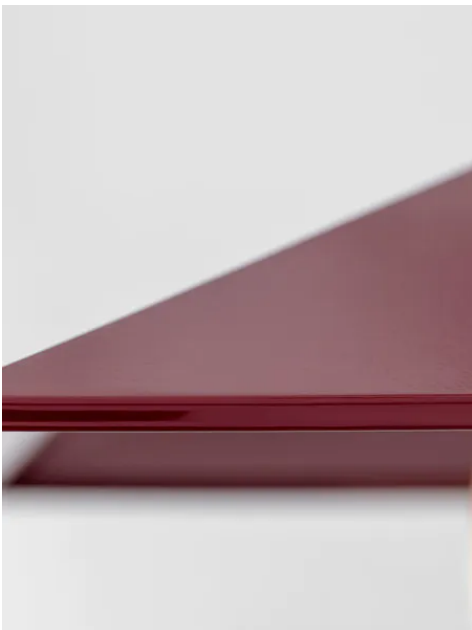


THE URBAN ELECTRIC C^o.



THAO



THAO

HANG REGULAR

MA-1914HR

DIMENSIONS

Width	24in
Height	16in

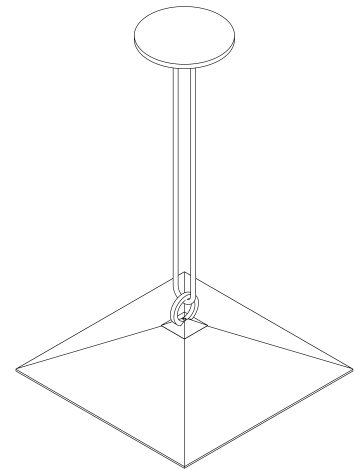
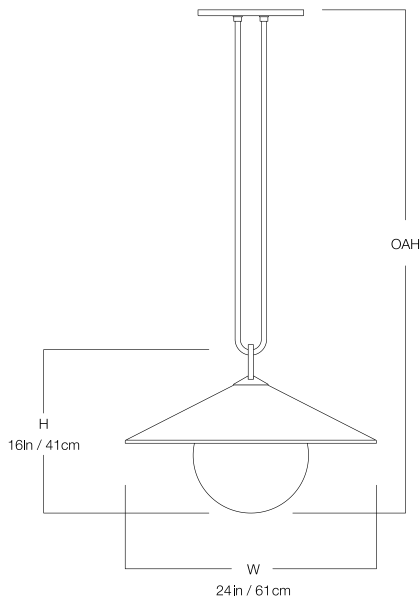
MOUNTING

Recommended Installers	2
Weight	26lbs
Canopy	10in dia
Junction Box	4in oct/rnd



LAMP / WIRING

Max Wattage	(1) 60W S
Ships with complimentary LED bulb	



RATING

Suitable for DAMP locations



UL Listed

PATENTS

This fixture is Patented with the United States Patent and Trademark Office. Patent No. D893,084 August 11, 2020

