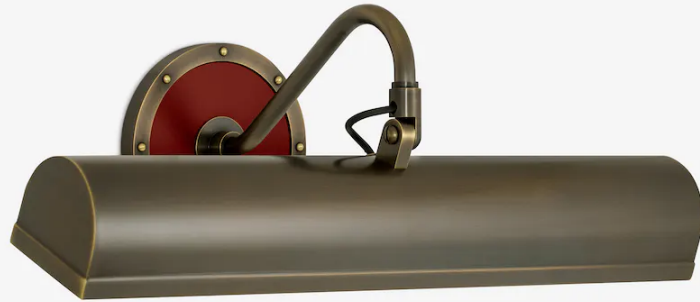


THE URBAN ELECTRIC C^o.



TOPPER



TOPPER

WALL REGULAR

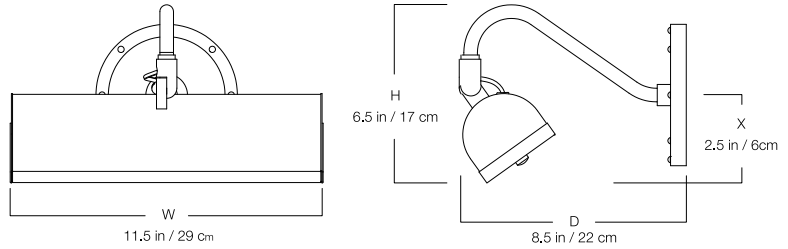
KF-2058WR

DIMENSIONS

| | |
|--------|--------|
| Width | 11.5in |
| Height | 6.75in |
| Depth | 8.5in |
| X | 2.5in |

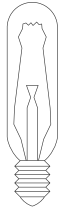
MOUNTING

| | |
|------------------------|-------------|
| Recommended Installers | 1 |
| Weight | 7lbs |
| Junction Box | 4in oct/rnd |



LAMP / WIRING

| | |
|------------------------------------|-----------|
| Max Wattage | (2) 10W C |
| Ships with complimentary LED bulbs | |



RATING

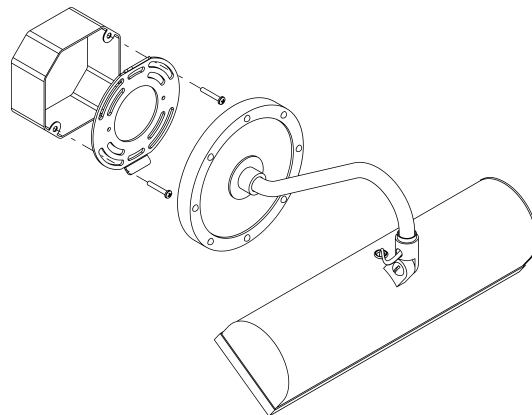
Suitable for DAMP locations



UL Listed

PATENTS

This fixture is Patented with the United States Patent and Trademark Office. Patent No. D976,478 January 24, 2023



TOPPER

WALL LARGE

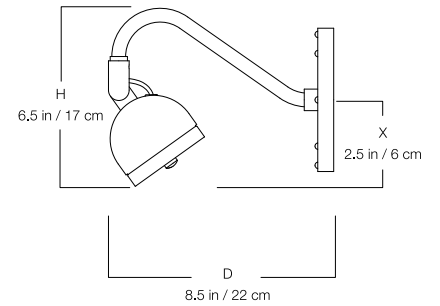
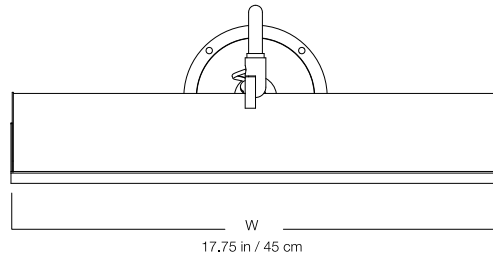
KF-2058WL

DIMENSIONS

| | |
|--------|---------|
| Width | 17.75in |
| Height | 6.5in |
| Depth | 8.25in |
| X | 2.5in |

MOUNTING

| | |
|------------------------|-------------|
| Recommended Installers | 1 |
| Weight | 7lbs |
| Junction Box | 4in oct/rnd |



LAMP / WIRING

Max Wattage (2) 10W C
Ships with complimentary LED bulbs



RATING

Suitable for DAMP locations



UL Listed

PATENTS

This fixture is Patented with the United States Patent and Trademark Office. Patent No. D976,478 January 24, 2023

