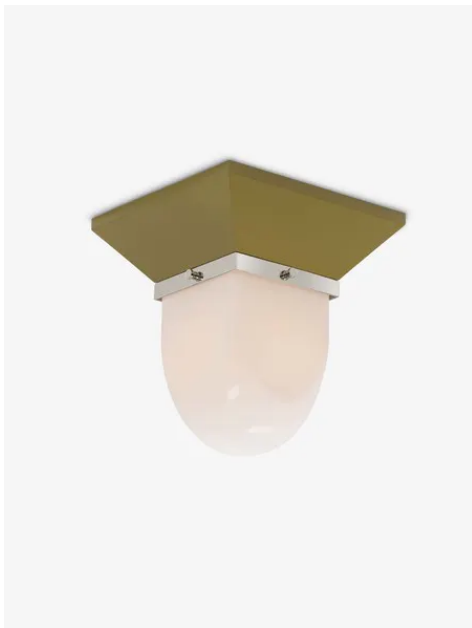


THE URBAN ELECTRIC CO.



VITRINE



VITRINE

HANG REGULAR

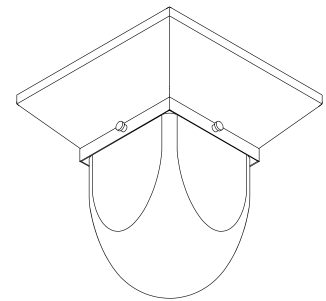
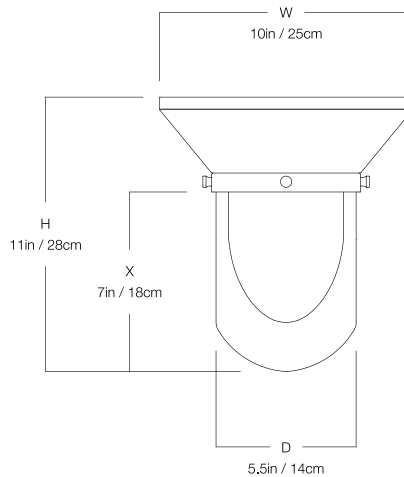
MA-1838HR

DIMENSIONS

Width	10in
Height	11in
Depth	5.5in
X	7in

MOUNTING

Recommended Installers	1
Weight	7lbs
Canopy	10in x 10in
Junction Box	4in oct/rnd



LAMP / WIRING

Max Wattage	(1) 60W S
-------------	-----------

Ships with complimentary LED bulb



RATING

Suitable for DAMP locations

UL Listed



PATENTS

This fixture is Patented with the United States Patent and Trademark Office.
Patent No. D885,637 May 26, 2020

