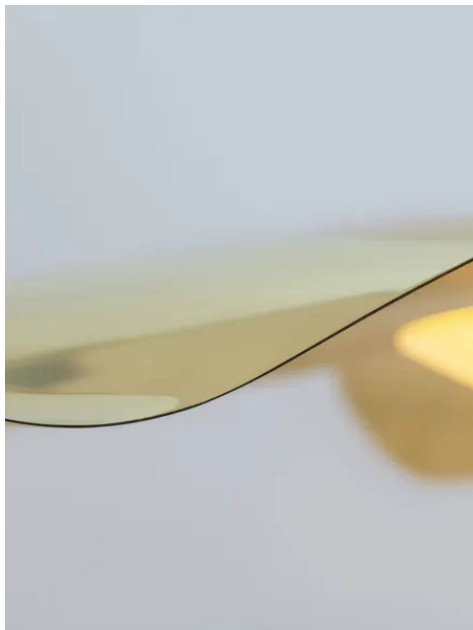
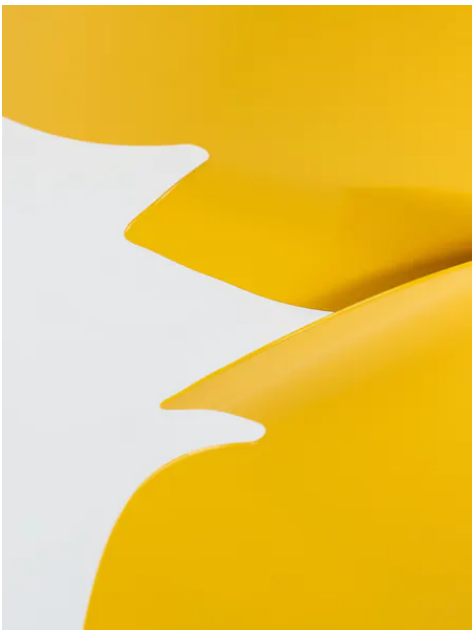


THE URBAN ELECTRIC CO.



WALSKA



WALSKA

HANG REGULAR

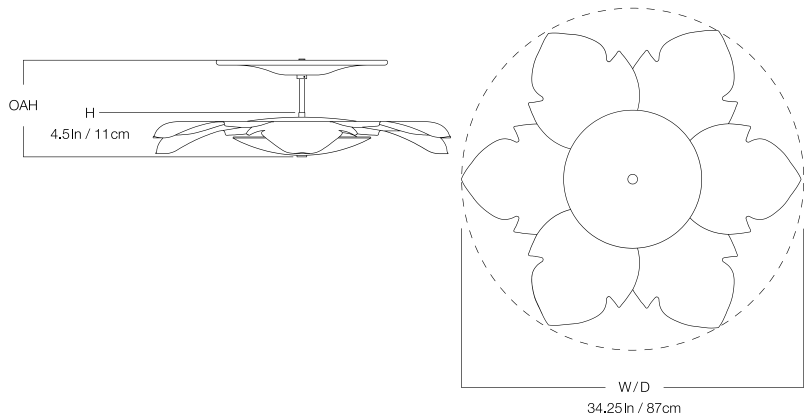
NK-1990HR

DIMENSIONS

Width	34.25in
Height	4.5in
Depth	34.25in

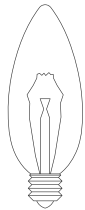
MOUNTING

Recommended Installers	1
Weight	21lbs
Canopy	17.5in dia
Junction Box	4in oct/rnd



LAMP / WIRING

Max Wattage (3) 60W C
Ships with complimentary LED bulbs



RATING

Suitable for DAMP locations



UL Listed

