

THE URBAN ELECTRIC C<sup>o</sup>.



WILLEM



# WILLEM

HANG REGULAR

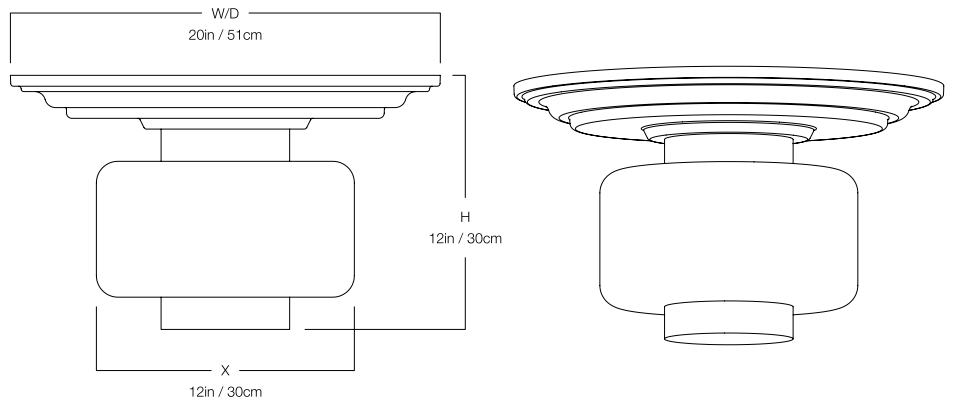
UE-2092HR

## DIMENSIONS

Width	20in
Height	12in
Depth	20in
X	12in

## MOUNTING

Recommended Installers	2
Weight	15lbs
Canopy	20in dia
Junction Box	4in oct/rnd



## LAMP / WIRING

Max Wattage	(1) 10W LED
Ships with complimentary LED panel	



## RATING

Suitable for DAMP locations

UL Listed



## PATENTS

This fixture has been filed with the United States Patent and Trademark Office, U.S. Pat. Pen. (U.S. Appl. No. 29/775,860)

